

FX-N-C Nylon hammer-in fixing with cylinder head

The hammer fixing made from best quality nylon for fast, simple, cost-effective installations



Approvals and Reports

- ETA-12/0457



Product information

Features and benefits

- Rapid hammer-set installation reduces the time required and allows for cost-effective, high-volume installation.
- Cylinder head prevents plug slipping into over-sized holes and allows fix thin elements
- Combination of PH recess and the helical thread makes removal of the nail possible, facilitating disassembly when necessary.
- The extensive range of product lengths, diameters and head types ensures availability of the correct fixing for every scenario.
- Designed for push-through installation.

Applications

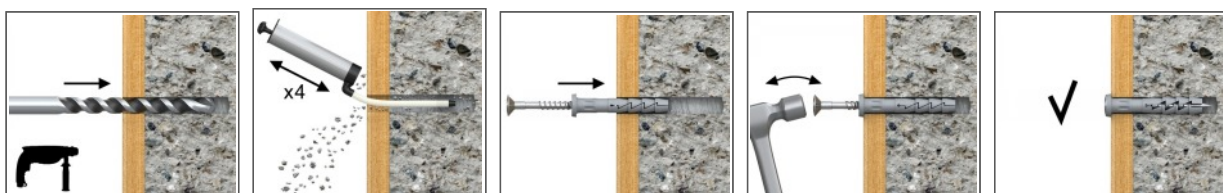
- Timber or metal battens
- Drywall structures
- Skirting / Dado railing
- Cable clamps
- Pipe clamps

Base materials

Approved for use in:

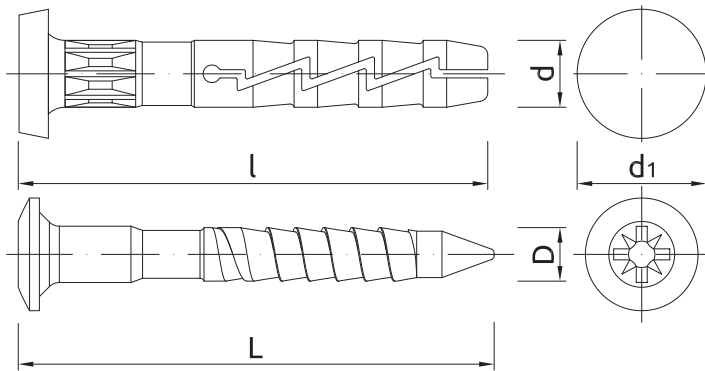
- Concrete
- Solid Brick
- Solid Sand-lime Brick
- Hollow Sand-lime Brick
- Lightweight Concrete Block
- Hollow Lightweight Concrete Block
- Aerated Concrete Block

Installation guide



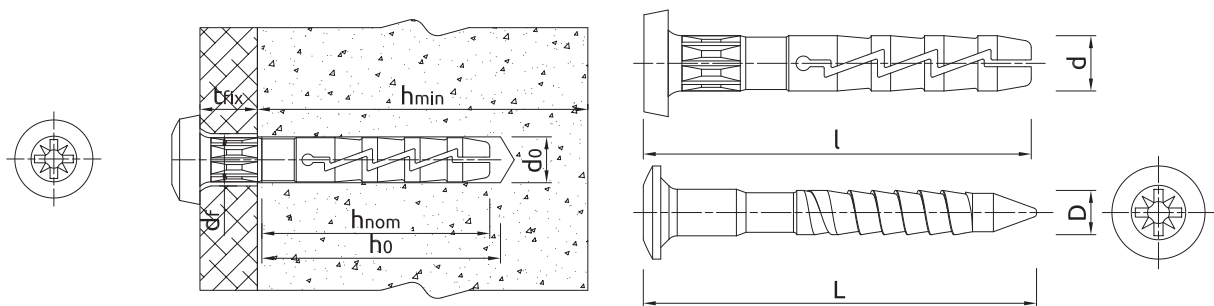
1. Drill a hole of required diameter.
2. Insert FX plug into hole through fixture.
3. Hammer the nail into the plastic sleeve until fixing is secure and flush with the fixture.

Product information



Size	Product Code	Plug		Nail		Fixture		Diameter
		Diameter	Length	Diameter	Length	Max. thickness	Hole diameter	
		d	l	D	L	t _{fix}	d _f	d ₁
[mm]								
Ø5	R-FX-N-05C030	4.9	30	3.3	33	5	6	9
	R-FX-N-05C035	4.9	35	3.3	38	10	6	9
	R-FX-N-05C050	4.9	50	3.3	54	25	6	9
Ø6	R-FX-N-06C035	5.9	35	3.8	39	6	7	11
	R-FX-N-06C040	5.9	40	3.8	44	11	7	11
	R-FX-N-06C045	5.9	45	3.8	49	16	7	11
	R-FX-N-06C060	5.9	60	3.8	64	31	7	11
	R-FX-N-06C080	5.9	80	3.8	84	51	7	11
Ø8	R-FX-N-08C045	7.9	45	4.8	51	5	9	13.2
	R-FX-N-08C060	7.9	60	4.8	66	20	9	13.2
	R-FX-N-08C080	7.9	80	4.8	86	40	9	13.2
	R-FX-N-08C100	7.9	100	4.8	106	60	9	13.2
	R-FX-N-08C120	7.9	120	4.8	126	80	9	13.2
	R-FX-N-08C140	7.9	140	4.8	146	100	9	13.2
	R-FX-N-08C160	7.9	160	4.8	166	120	9	13.2

Installation data



Installation data

Product dimensions

Size			Ø5	Ø6	Ø8
Fixing diameter	d	[mm]	5	6	8
Hole diameter in substrate	d ₀	[mm]	5	6	8
Min. hole depth in substrate	h ₀	[mm]	30	35	45
Installation depth	h _{nom}	[mm]	25	29	40
Min. substrate thickness	h _{min}	[mm]	100	100	100
Min. spacing	s _{min}	[mm]	100	100	100
Min. edge distance	c _{min}	[mm]	100	100	100

Basic performance data

Performance data for single fixing in tension without influence of edge distance and spacing

Substrate		Concrete C12/15	Concrete C20/25 - C50/60	Solid brick	Sand-lime solid brick	Sand-lime hollow brick	Lightweight concrete hollow block	Lightweight concrete block	Autoclaved aerated concrete
POLYAMIDE PLUG									
MEAN ULTIMATE LOAD $N_{R,u,m}$									
Ø05, Effective embedment depth 25 mm	[kN]	0.36	0.51	0.41	0.44	0.49	0.35	0.42	-
Ø06, Effective embedment depth 29 mm	[kN]	0.37	0.53	0.39	0.55	0.53	0.40	0.49	0.14
Ø08, Effective embedment depth 40 mm	[kN]	0.55	0.78	0.82	0.55	-	0.50	0.74	0.17
CHARACTERISTIC LOAD $N_{R,k}$									
Ø05, Effective embedment depth 25 mm	[kN]	0.20	0.30	0.20	0.20	0.30	0.20	0.20	-
Ø06, Effective embedment depth 29 mm	[kN]	0.20	0.30	0.20	0.40	0.30	0.30	0.30	0.10
Ø08, Effective embedment depth 40 mm	[kN]	0.30	0.50	0.50	0.40	-	0.30	0.50	0.10
DESIGN LOAD $N_{R,d}$									
Ø05, Effective embedment depth 25 mm	[kN]	0.15	0.15	0.10	0.10	0.15	0.10	0.10	-
Ø06, Effective embedment depth 29 mm	[kN]	0.15	0.15	0.10	0.20	0.15	0.15	0.15	0.05
Ø08, Effective embedment depth 40 mm	[kN]	0.25	0.25	0.25	0.20	-	0.15	0.25	0.05
RECOMMENDED LOAD $N_{R,rec}$									
Ø05, Effective embedment depth 25 mm	[kN]	0.11	0.11	0.07	0.07	0.11	0.07	0.07	-
Ø06, Effective embedment depth 29 mm	[kN]	0.11	0.11	0.07	0.14	0.11	0.11	0.11	0.04
Ø08, Effective embedment depth 40 mm	[kN]	0.18	0.18	0.18	0.14	-	0.11	0.18	0.04

Product commercial data

Size	Product Code	Plug	Quantity [pcs]			Weight [kg]			Bar Codes
		Diameter [mm]	Box	Outer	Pallet	Box	Outer	Pallet	
Ø5	R-FX-N-05C030	4.9	100	2400	57600	0.30	7.2	201.6	5906675176963
	R-FX-N-05C035	4.9	100	3200	76800	0.32	10.3	276.1	5906675176987
	R-FX-N-05C050	4.9	100	2400	57600	0.35	8.5	233.3	5906675212791
Ø6	R-FX-N-06C035	5.9	100	1600	38400	0.43	6.8	194.2	5906675177328
	R-FX-N-06C040	5.9	100	1600	38400	0.48	7.6	212.4	5906675177342
	R-FX-N-06C045	5.9	100	1600	38400	0.44	7.0	199.0	5906675177366
	R-FX-N-06C060	5.9	100	1200	28800	0.65	7.8	217.2	5906675177380
	R-FX-N-06C080	5.9	100	1200	28800	0.81	9.7	262.2	5906675177403
Ø8	R-FX-N-08C045	7.9	100	1200	28800	0.76	9.1	248.9	5906675177601
	R-FX-N-08C060	7.9	100	1200	28800	1.08	13.0	341.9	5906675177625
	R-FX-N-08C080	7.9	50	600	14400	0.73	8.7	239.8	5906675177564
	R-FX-N-08C100	7.9	50	600	14400	0.80	9.7	261.6	5906675177663
	R-FX-N-08C120	7.9	50	600	14400	0.98	11.8	312.6	5906675177588
	R-FX-N-08C140	7.9	50	600	14400	1.05	12.6	333.1	5906675119069
	R-FX-N-08C160	7.9	50	600	14400	1.20	14.4	375.6	5906675292588

1) ETA-12/0457